



Robot Repair

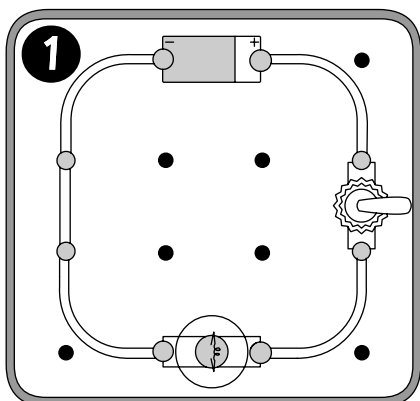
Activity Sheet

Name: _____ Class: _____

When the circuits are complete they can be used to turn the bulb on and off.

Tick the complete circuits and write "circuit complete".

Cross the incomplete ones and write why they will not work. One has been done for you.



Circuit complete.

